
7694 Control Unit

	Description	HP Part No.	Qty
1	Frame, control unit	301-137-HSP	1
2	Spacer, brass	301-108-HSP	1
3	Keyboard, bezel	415-317-HSP	1
4	PCB—mainboard (CPU)	415-309-HSP	1
	Rebuilt mainboard (CPU)	415-321-HSP	1
5	Panel, side	301-138-HSP	1
6	Latch, side panel	300-910-HSP	1
7	PCB, KB keyboard	415-315-HSP	1
	PCB, KB keyboard rebuilt	415-332-HSP	
8	Key pad, silicon rubber	301-102-HSP	1
9	Firmware kit	G1290-60595	1
10	Nylon standoff, PCB	301-025-HSP	1
11	Elastic	301-032-HSP	1
12	Latch	301-030-HSP	1
Associated nuts, screws, and washers			
A	Washer, nylon	300-911-HSP	2
B	Washer, rubber	300-912-HSP	2
C	Screw, M3 X 10 pan head	0515-0925	6
D	Washer, flat D4	3050-0893	1
E	Washer, toothed D4	2190-0640	1
F	Nut, M4	0535-0006	2
G	Washer, toothed D3	2190-0638	8
H	Washer, flat D3	3050-0891	8
I	Nut, M3	0535-0004	1
J	Spacer, 10 X 5 X 17	301-172-HSP	1
K	Screw, M3 X 6 pan head	0515-0924	5

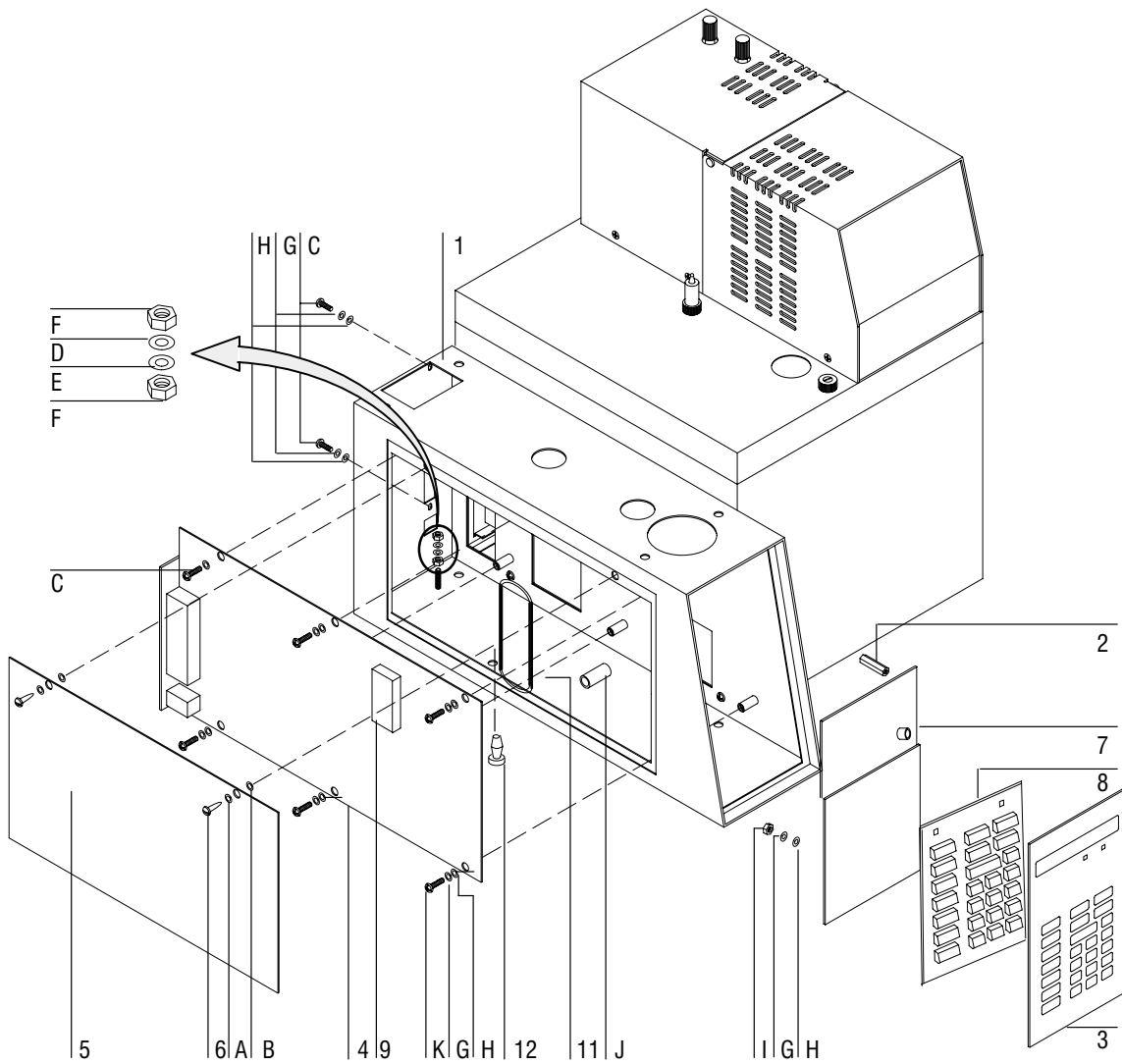


Figure 4-1. Exploding the Control Unit