
7694E Electronics Control Area

Description	HP Part No.	Qty
1 Latch, side panel	300-910-HSP	2
2 Panel, side	998-0000045-EHS	1
3 PCB—mainboard (CPU)	341-0700002-EHS	1
Rebuilt mainboard (CPU)	341-0700003-EHS	
4 Frame, control unit	998-0000044-EHS	1
5 Spacer, brass	301-108-HSP	1
6 PCB, KB keyboard	641-0090110-EHS	1
7 Key pad, silicon rubber	641-0320040-EHS	1
8 Keyboard, bezel	415-317-HSP	1
9 Firmware kit (not shown)	G1290-60595	1

Associated nuts, screws, and washers

A Nut, M4	0535-0006	3
B Washer, toothed D4	2190-0640	3
C Washer, Nylon	300-911-HSP	2
D Washer, flat D3	3050-0891	2
E Washer, toothed D3	2190-0638	6
F Screw, M3 X 10 pan head	0515-0925	6
G Washer, rubber	300-912-HSP	2

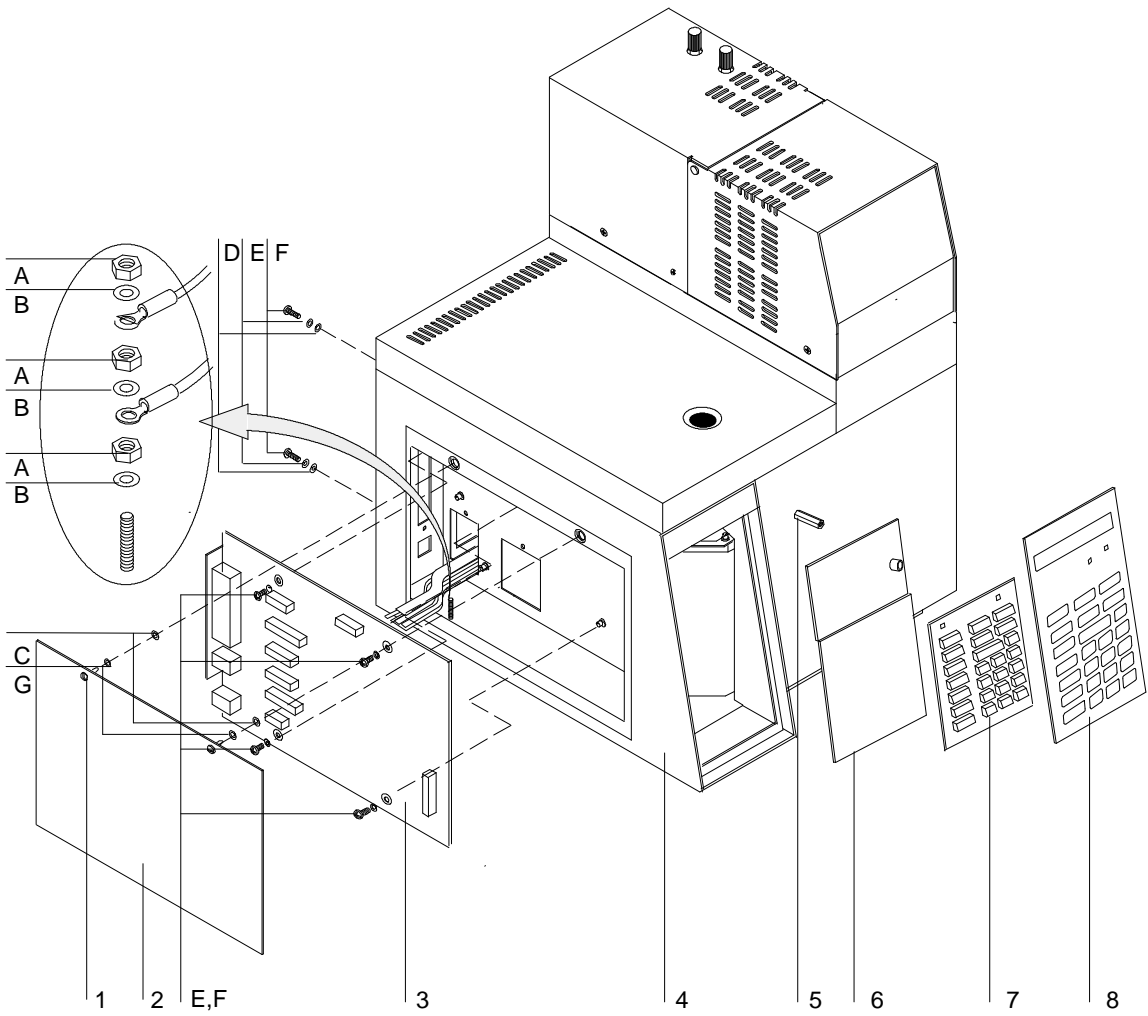


Figure 1-1. Exploding the Electronics Control Area