
7694E Housing

Description	HP Part No.	Qty
1 Frame, sampler	301-113-HSP	1
2 Frame, cover	998-0000003-EHS	1
Associated screws and washers		
A Screw, M4 X 12 socket head	0515-1196	4
B Washer, toothed D4	2190-0640	4

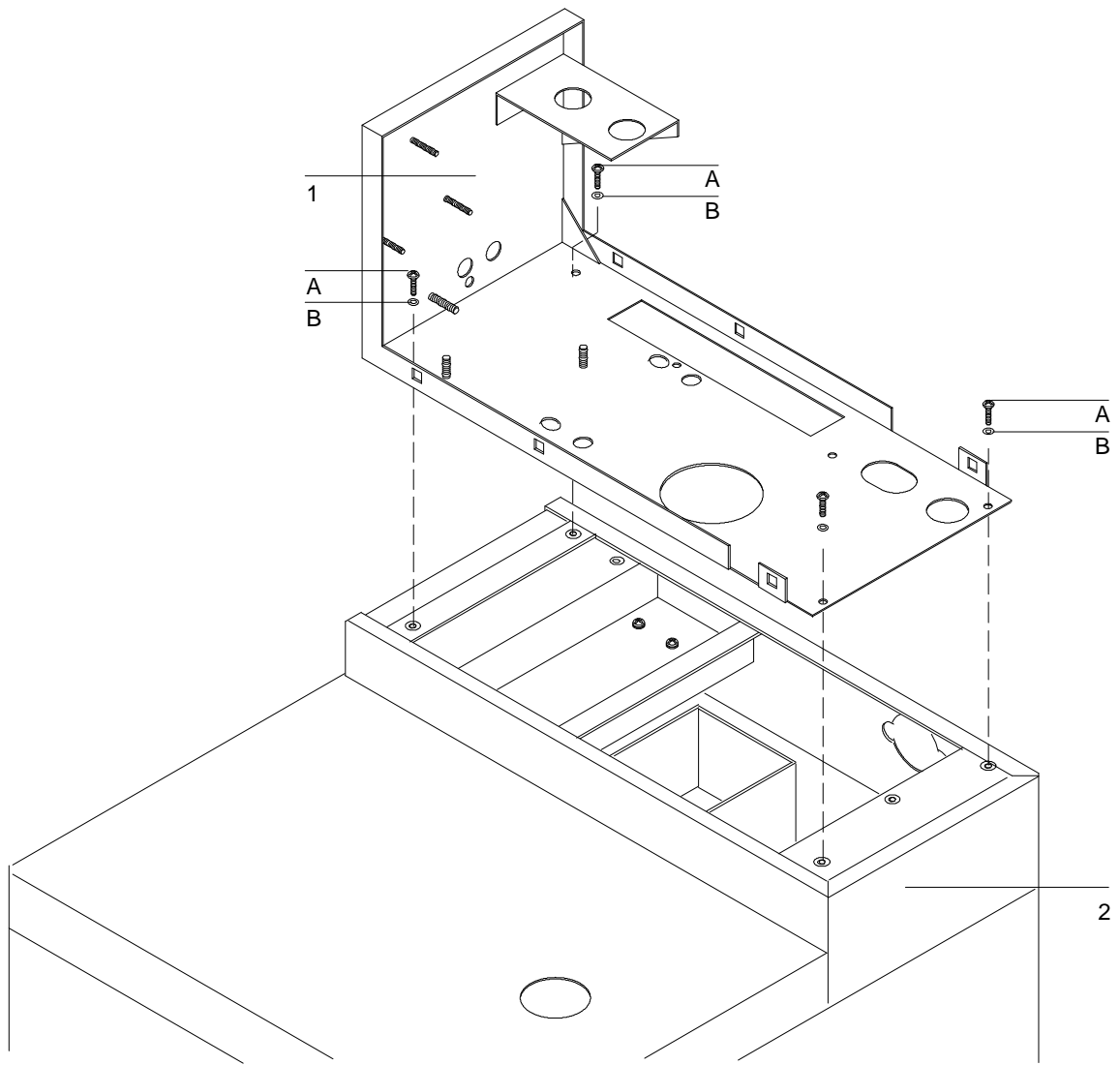


Figure 2-11. Housing