
7694E Lower Subassemblies

	Description	HP Part No.	Qty
1	Rod, lever lock cover	301-019-HSP	2
2	Frame, base case	998-0000044-EHS	1
3	Elevator assembly	See figure 1-7)	1
4	Plug (rubber tip), rod	301-062-HSP	1
5	Rod, sampling	301-061-HSP	1
6	Motor, elevator vials	425-019-HSP	1
7	PCB, TB2-optical sensor	415-306-HSP	1
8	Plate, bottom	301-117-HSP	1
Associated screws and washers			
A	Screw, M4 X 12 hexhead		2
B	Washer, toothed D4	2190-0640	8
C	Washer, flat D4	3050-0893	4
D	Screw, M4 X 12 pan head	0515-0909	8

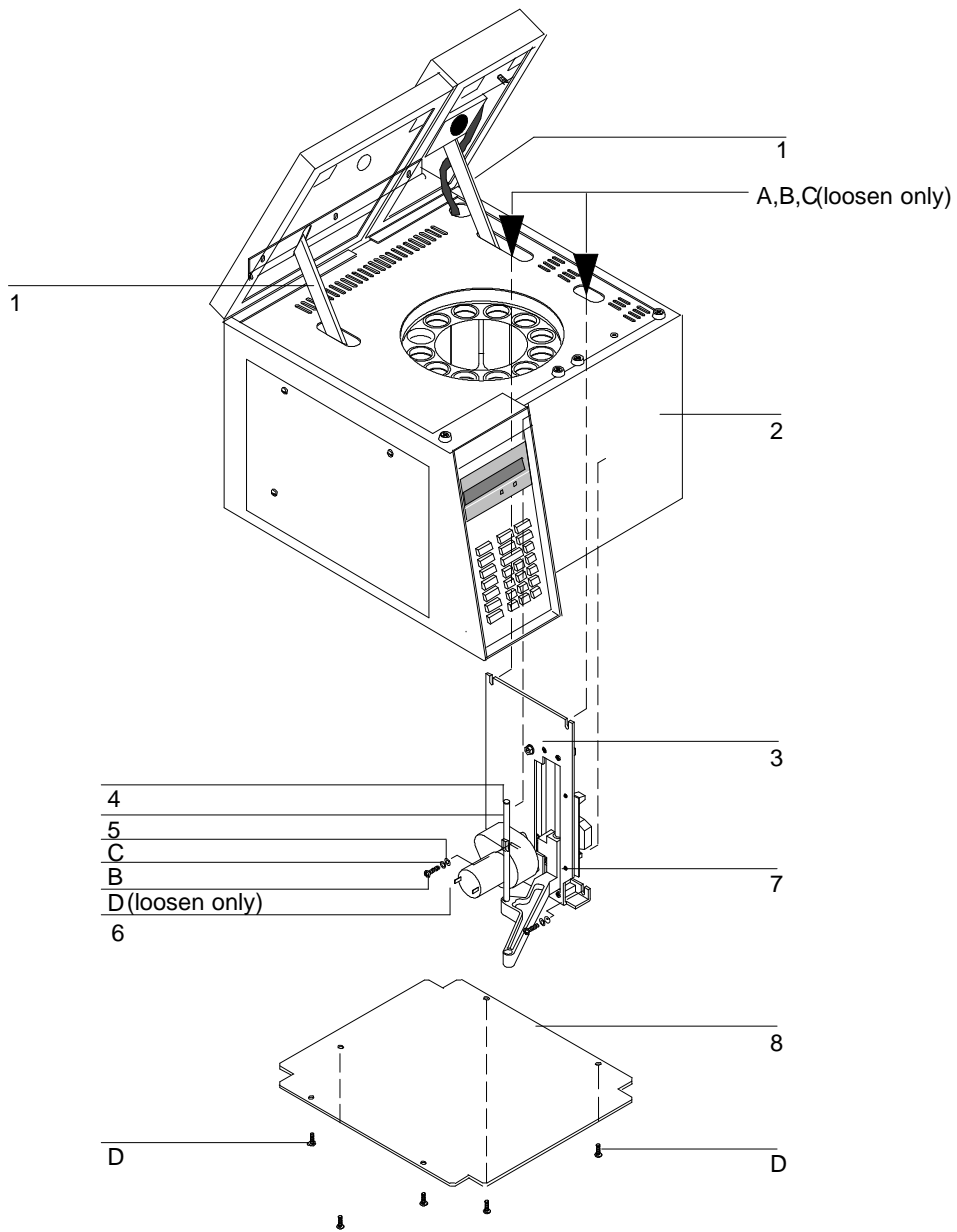


Figure 1-6. Removing the Elevator