
7694E Pressure Valves

Description	HP Part No.	Qty
1 Pressure regulator	330-086-HSP	1
2 Flow controller	330-055-HSP	1
3 Knob	460-006-HSP	2
4 Bulkhead fitting kit	325-024-HSP	2
5 Plug, plastic	300-551-HSP	1
6 PCB SP pressure transducer	341-0920332-EHS	1
Associated nuts and washers		
A Screw, M3 X 6 panhead		3
B Washer, toothed D3	2190-0638	3

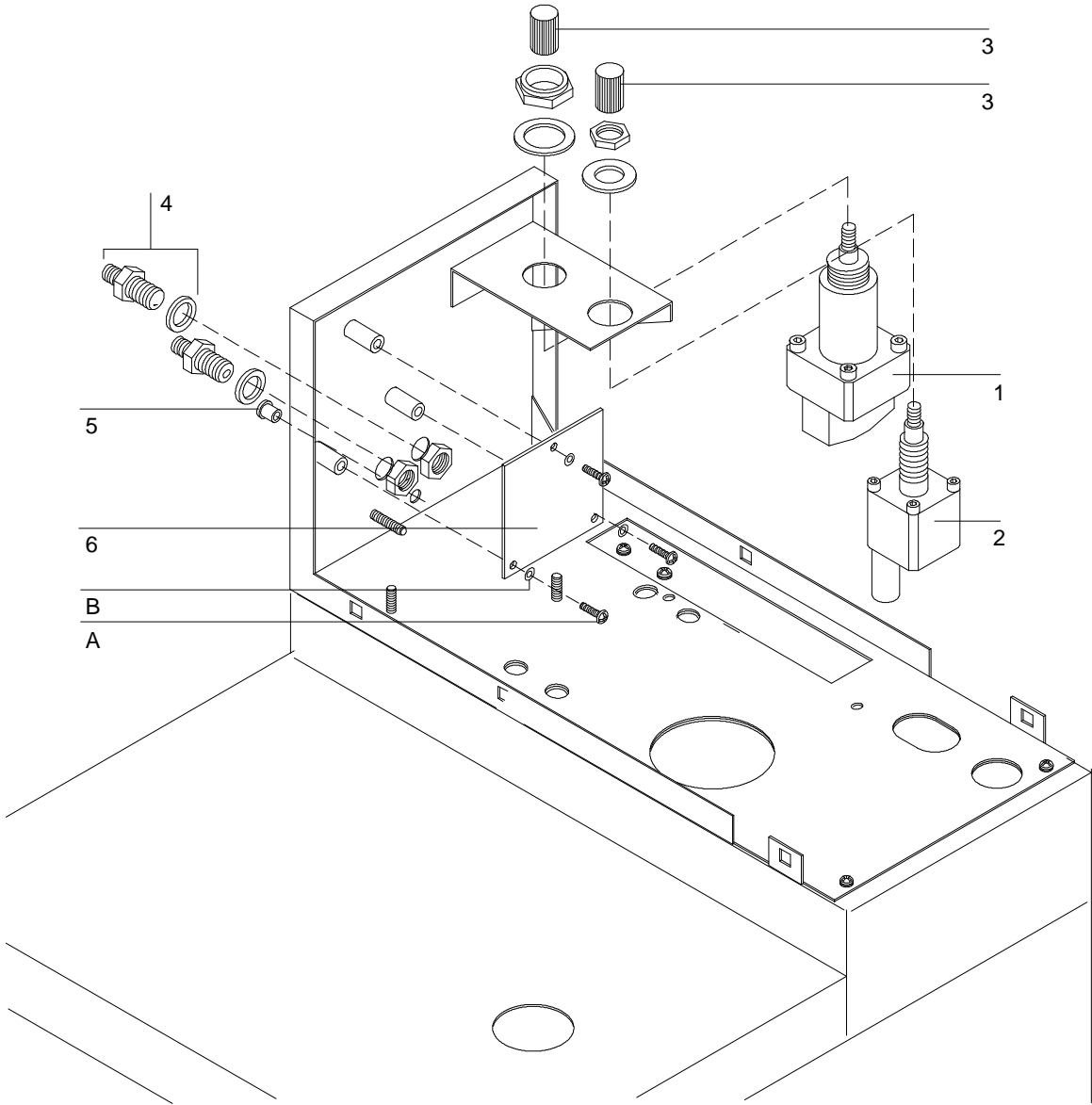


Figure 2-10. Pressure Valves