
7694E Six-Port Valve Actuator Assembly

Description	HP Part No.	Qty
1 Motor, 6-port valve actuator	425-019-HSP	1
2 Bracket, motor 6-port valve	301-123-HSP	1
3 PCB TB1 valve actuator sensor	415-301-HSP	1
4 Terminal block	465-509-HSP	2
5 Disk, 6-port valve	301-034-HSP	1
6 Wheel, lever CAM	301-038-HSP	1
7 Screw, lever CAM	301-122-HSP	1
8 Lever	301-036-HSP	1
9 Joint, couple 6-port valve	301-037-HSP	1
10 Bushing, lever	301-089-HSP	1
11 Plate, terminal block	641-0116180-EHS	1
Associated screws and standoffs		
A Screw, M3 X 20 socket head cap		4
B Spacer, nylon 10 X 4.5 X 4	301-105-HSP	3
C Screw, M3 X 12 socket head cap	0515-1052	3
D Standoff, D7 X D3 X 2.5 PVC	300-415-HSP	4
E Nut, M3 X 0.5	0535-0004	4
F Screw, M4 X 12 socket head	0515-1196	1
G Screw, M3 X 16 socket head	0515-1494	1
H Washer, D3 toothhead		7

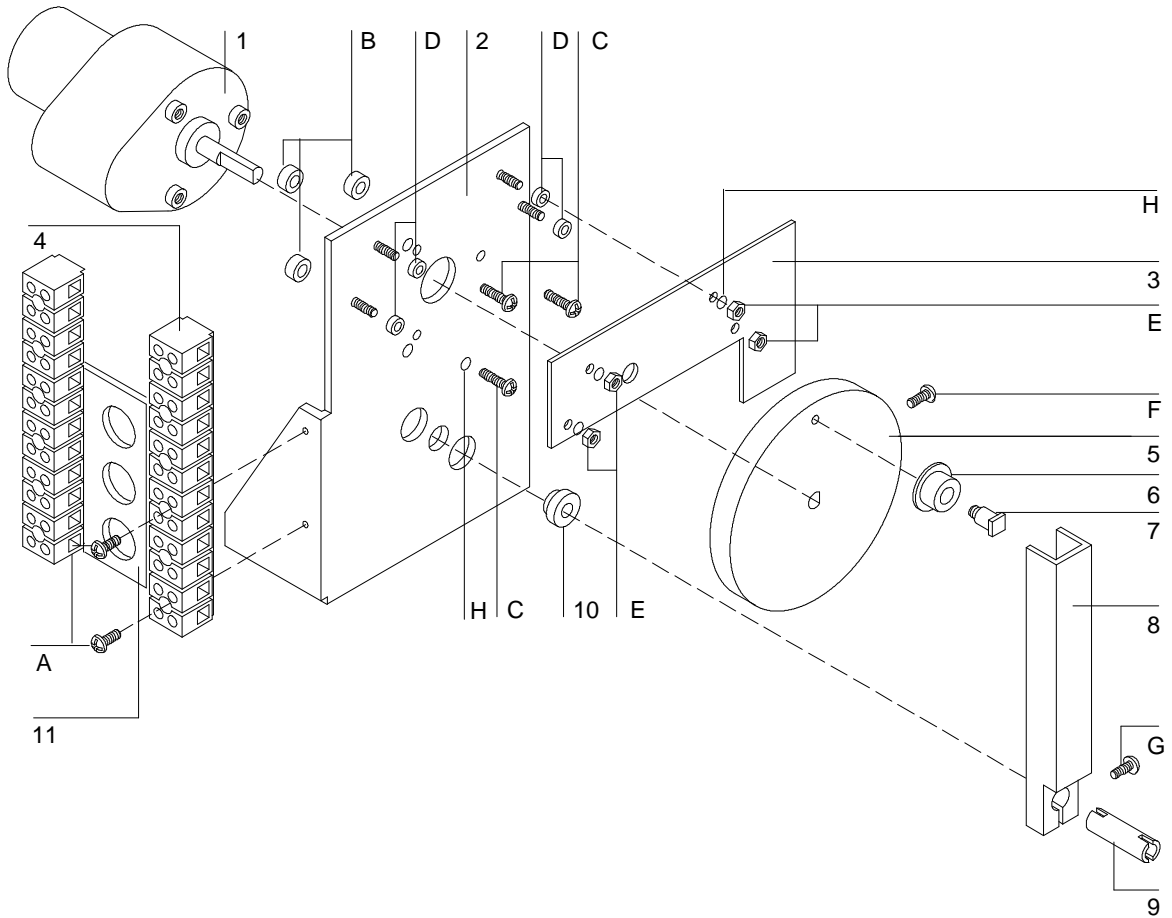


Figure 2-7. Six-Port Valve Actuator Assembly