
7694 Oven Unit, Back Cover

	Description	HP Part No.	Qty
1	Main, switch	485-047-HSP	1
2	Plate, back	301 -1 1 8-HSP	1
3	PC board—220 V, or	41 5-31 8-HSP	
	PC board—1 1 5 V, or	41 5-31 9-HSP	
	Rebuilt PC board—220 V, or	41 5-322-HSP	
	Rebuilt PC board—1 1 5 V	41 5-323-HSP	
4	Main, fuses holder	485-048-HSP	
	Fuses: 6A, F6 and switch module	445-072-HSP	2
	3A, Switch module only	445-069-HSP	2
5	Screen, power supply	301 -1 89-HSP	1
Associated screws, washers, nuts, and spacers			
A	Screw, M3 X 1 0 flat head	051 5-1 005	2
B	Spacer, Nylon 1 0 X 4.5 X 4	301 -1 05-HSP	8
C	Washer, flat D3	3050-0891	2
D	Washer, toothed D3	21 90-0638	2
E	Nut, M3	0535-0004	2
F	Washer, flat D4	3050-0893	8
G	Washer, toothed D4	21 90-0640	8
H	Nut, M40535-0006	8	
I	Screw, M4 X 1 2 pan head	051 5-0909	2
J	Washer, flat M5	3050-0894	2
K	Washer, toothed M5	21 90-0641	2
L	Nut, M50535-0005	2	

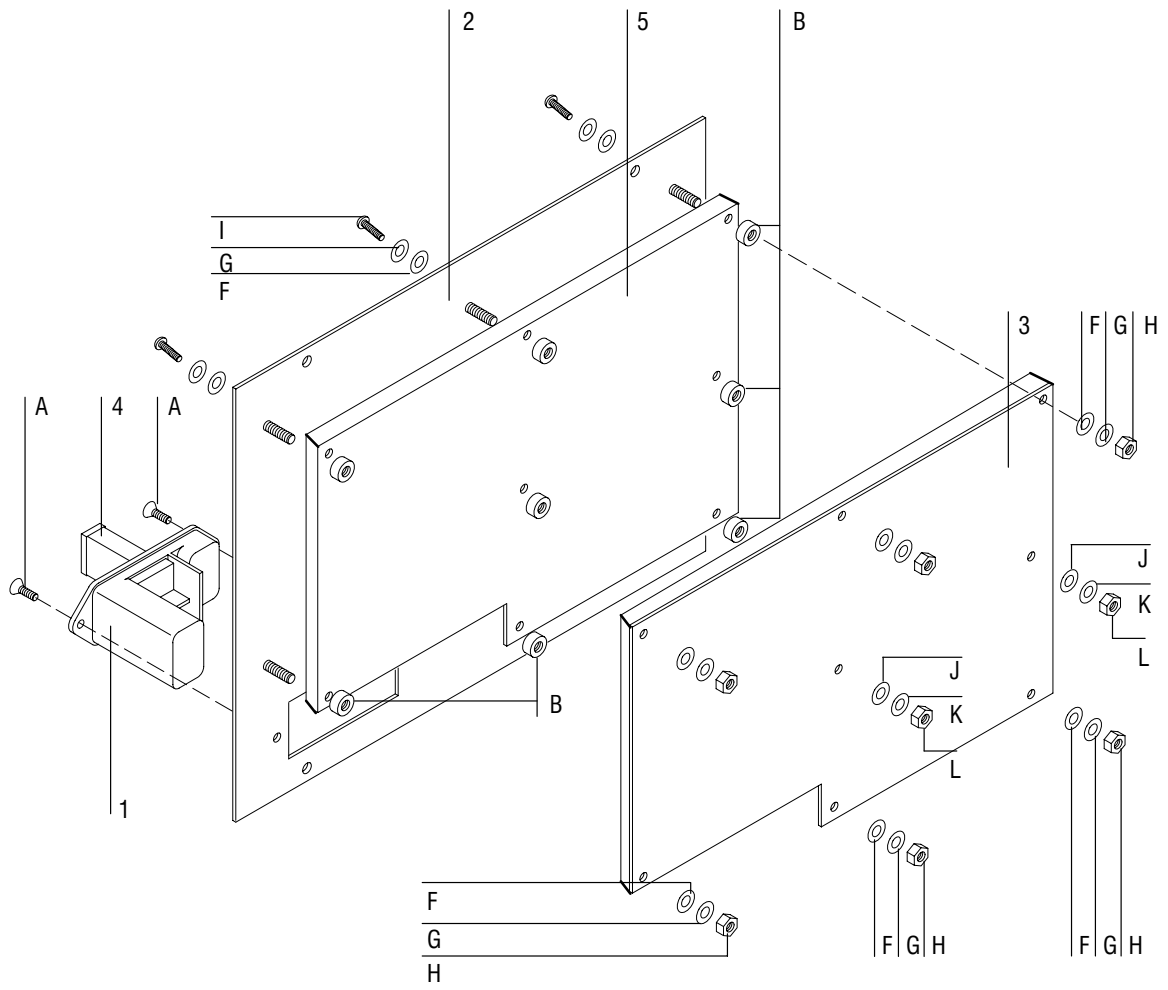


Figure 6-11. The Back Cover