

## Flame Ionization Detector (FID) Manifold Assembly

Description	HP Part No.	Qty
1. EPC Control Valve* (Order no. G1531-60610 )	G1531-60541	3
1A. NON-EPC 2 Way Valve	G1531-60530	3
2. O-Rings HP M8 (Order No. 5180-4181, 12/pkg)	0905-1039	10
3. Screw, M4 x 10 mm, Torx, T20	0515-2495	1
4. EPC Control Module Assembly	G1531-60520	1
5. Non-EPC Control Module Assembly	G1531-60500	1
6. Screw, M3 x 25 mm, Torx T10	0515-0683	6
7. Screw, M3 x 8 mm, Torx, T10	0515-0655	2
8. Make-up Gas, Manual Forward Pressure Regulator Assembly	G1531-60570	1
8A. Pressure Regulator, 0-100 psi	G1531-60630	1
8B. Fid Manifold Regulator Brazement	G1531-80520	1
8C. Supply Gas Jumper Weldment	G1531-80550	1

\* Order valve replacement kit, HP part no. G1531-60610, qty. 1 valve each

Flame Ionization Detector (FID) Manifold Assembly

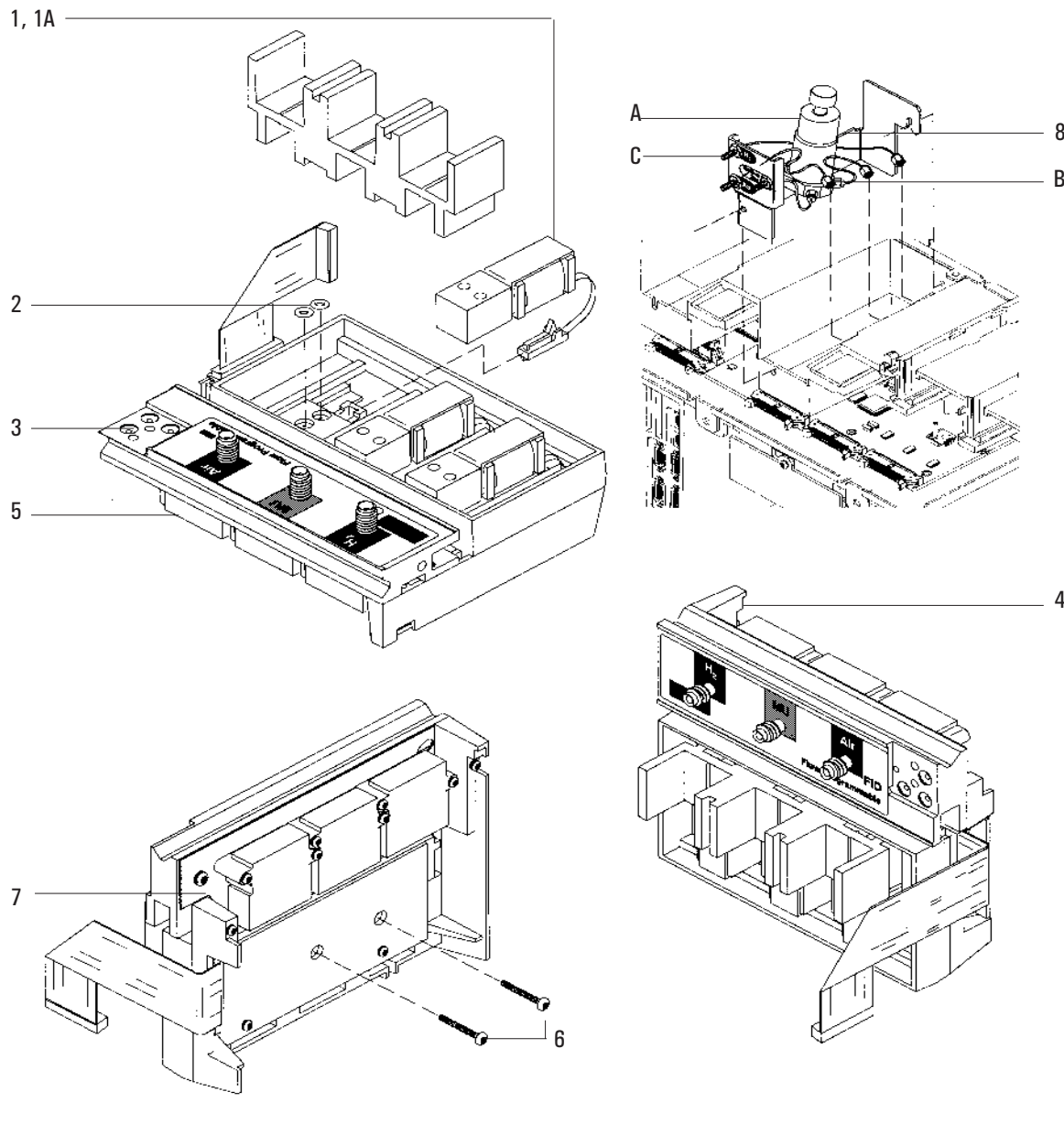


Figure 1320-4 (FID) Manifold Assembly