

Split/Splitless Inlet Column Liners

The table below lists some of the liners available for the split/splitless column. Refer to the *Analytical Columns and Supplies Catalog* for a complete list of liners and the specifications for each.

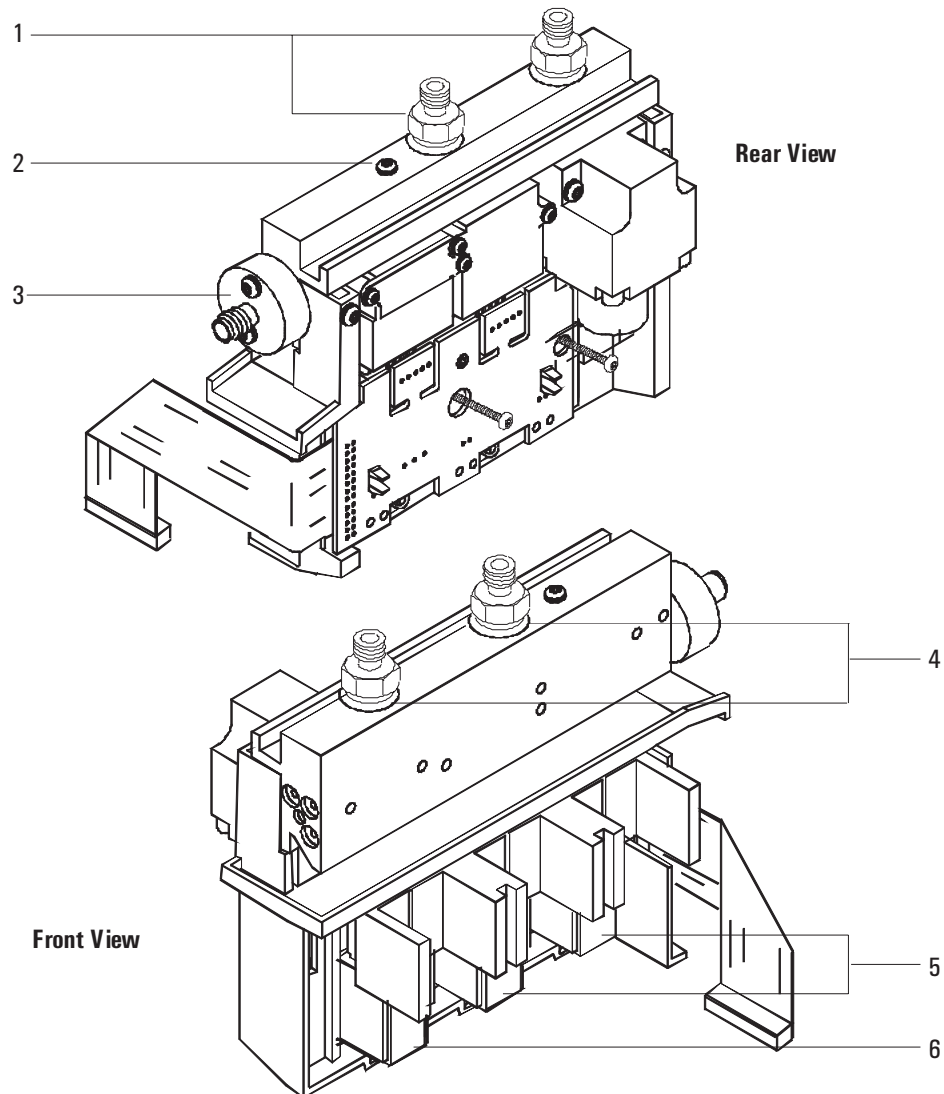
| Description | HP Part No. | Qty. |
|---|-------------|------|
| Single-Taper Liner w/ Glass Wool Packing (Deactivated) | 5062-3587 | 1 |
| Single-Taper Liner w/out Glass Wool Packing (Deactivated) | 5181-3316 | 1 |
| Double-Taper Liner (Deactivated) | 5181-3315 | 1 |
| Split/Splitless Liner | 19251-60540 | 1 |
| Splitless Liner (Deactivated) | 5181-8818 | 1 |

Split/Splitless Inlet EPC Pneumatic Module

(HP part no. G1544-60500, 0–100 psig or G1544-60540, 0–150 psig)

| Description | HP Part No. | Qty. |
|---|-------------|------|
| 1. Male Connectors 1/8 in. Swagelok | G1543-80030 | 2 |
| 2. Screw, M4 x 45 mm, Torx T20 | 0515-2484 | 1 |
| 3. Inlet Supply Fitting | G1543-20510 | 1 |
| 3A. Screw, M3 x 20 mm, Torx T10 | 0515-1319 | 8 |
| 4. O-rings, under connectors and fitting (12/pkg) | 5180-4182 | 1 |
| 5. EPC Valve Replacement Kit | G1530-60610 | 2 |
| 6. Split Vent On/Off Valve | G1544-60580 | 1 |

For diagram of screw and O-ring placement in pneumatic modules see figure 1310-7 on page 15 of this section.

Split/Splitless Inlet EPC Pneumatic Module**Figure 1310-2 Split/Splitless Inlet EPC Pneumatic Module**